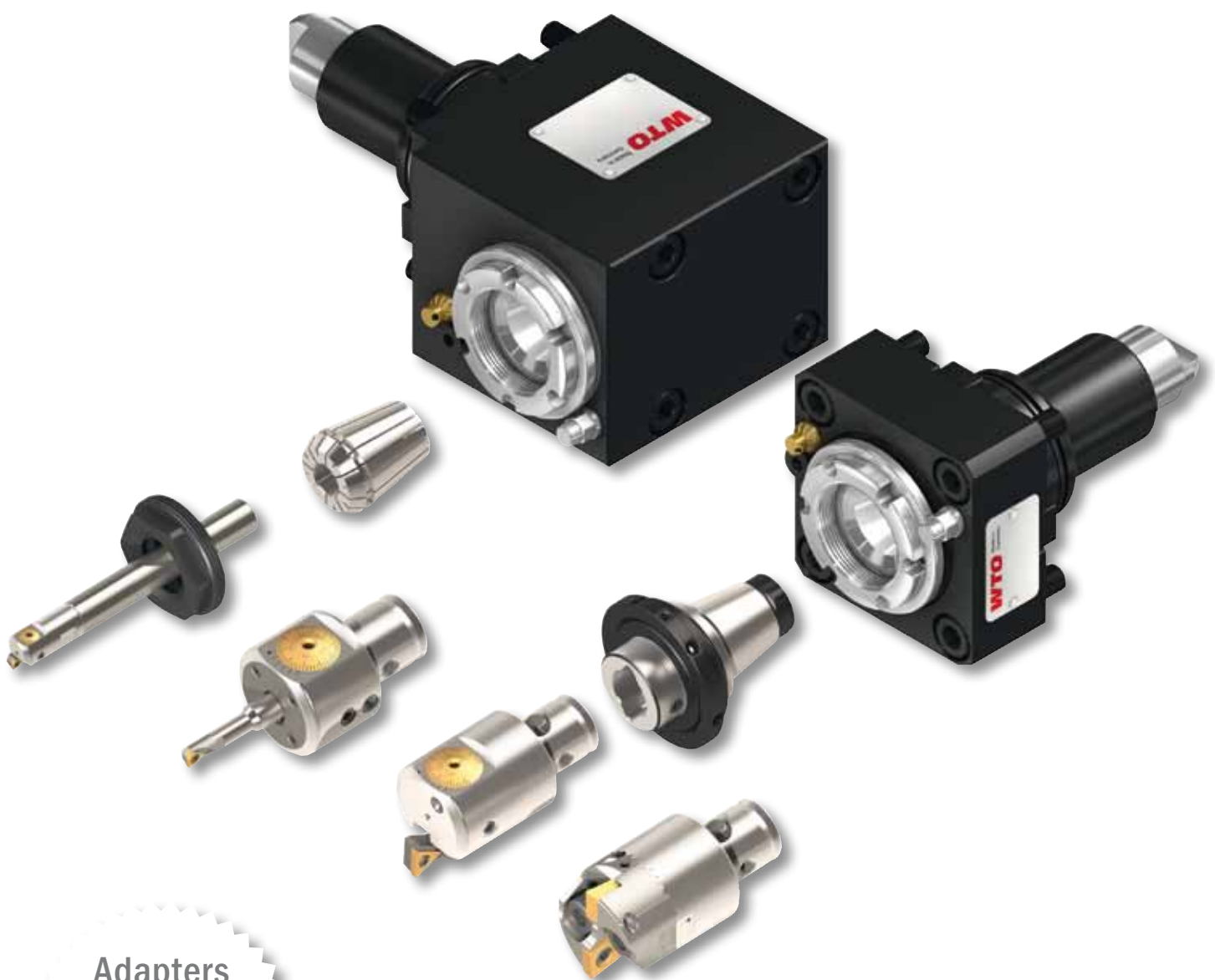


QuickFlex®

The new Quick Change System for high performance and precision.

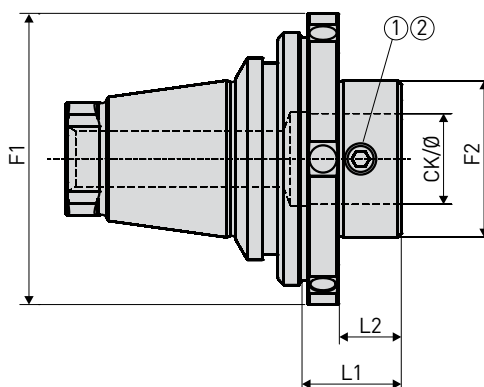
Adapters for BIG KAISER Precision Boring System.





Adapters
for
BIG KAISER

QuickFlex[®] for BIG KAISER

The adapters for the QuickFlex[®] quick change tooling system are available in eight different sizes enabling the use of BIG KAISER boring tools in sizes CKB1 up to CKB4. This guarantees a gapless machining of highly precise bores on turning centers in the range from \varnothing 0.4 to 74 mm.

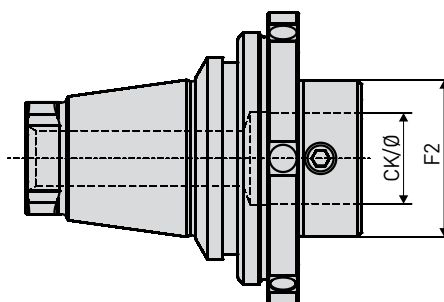


Size	Item No.	CK/Ø	F1	F2	L1	L2	 ①	 ②
ER-25QF	325125CK1	CKB1/11	49	19	15.5	8.5	103828	26079
	325125CK3	CKB3/18	49	31	19.5	12.5	72733	26072
ER-32QF	325132CK1	CKB1/11	58	19	15.5	8.5	103828	26079
	325132CK3	CKB3/18	58	31	19.5	12.5	72733	26072
ER-40QF	325140CK2	CKB2/14	71	24	18	10	69040	26071
	325140CK4	CKB4/22	71	39	23	15	67821	26073
ER-50QF	325150CK2	CKB2/14	82	24	19	10	69040	26071
	325150CK4	CKB4/22	82	39	24	15	67821	26073

Dimensions in mm

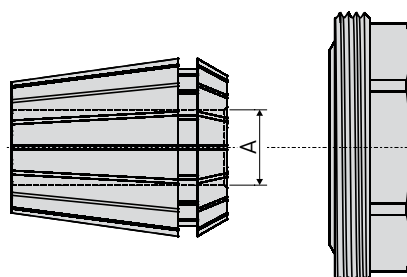
QuickFlex[®] Adapter

Sizes: ER-25QF, ER-32QF, ER-40QF and ER-50QF



Collets

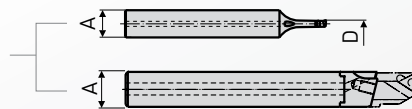
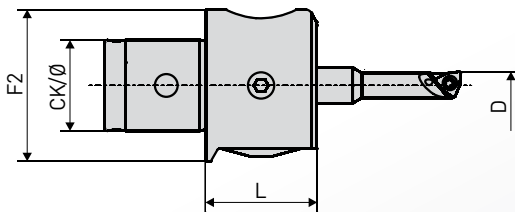
Sizes: ER25, ER32, ER40 and ER50



Tool combinations and work ranges

For detailed specifications of the boring tools and accessories please refer to the BIG KAISER main catalogue.

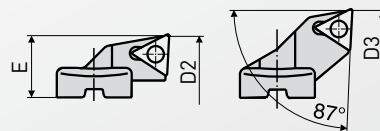
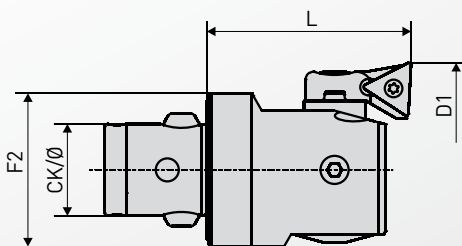
Precision boring heads EWN, Series 112, \varnothing 0.4 - 24.8 mm



Boring Head	CK/Ø	D	A	L	F2
EWN 04-15	CK3/18	0.4-15.5	7	22	31
EWN 04-22	CK4/22	0.4-24.8	10	28	39

See BIG KAISER catalogue page B51-55.

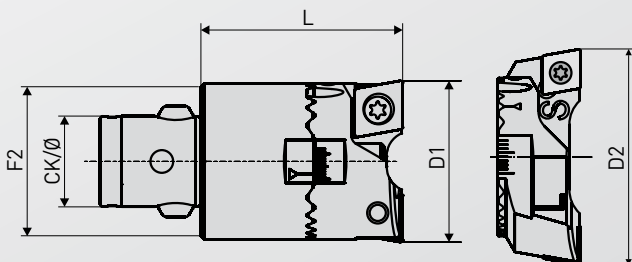
Precision boring heads EWN, Series 310, \varnothing 20 - 74 mm



Boring Head	CK/Ø	D1	D2	D3	L	F2
EWN 20	CKB1/11	20-26	25-31	30-36	32.5	19
EWN 25	CKB2/14	25-33	32-40	39-47	35.5	24
EWN 32	CKB3/18	32-42	41-51	50-60	40	31
EWN 41	CKB4/22	41-54	50-63	61-74	47	39

See BIG KAISER catalogue page B58-62.

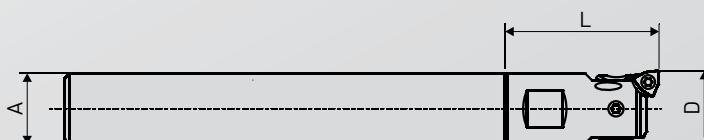
Rough boring heads SW, Series 319, \varnothing 20 - 66 mm



Boring Head	CK/Ø	D1	D2	L	F2
SW 20	CKB1/11	20-26	25-31	32.5	19
SW 25	CKB2/14	25-33	32-40	35.5	24
SW 32	CKB3/18	32-42	41-51	40	31
SW 41	CKB4/22	41-54	50-63	47	39

See BIG KAISER catalogue page B27-31.

Precision boring heads EW, Series 310, \varnothing 15 - 22 mm

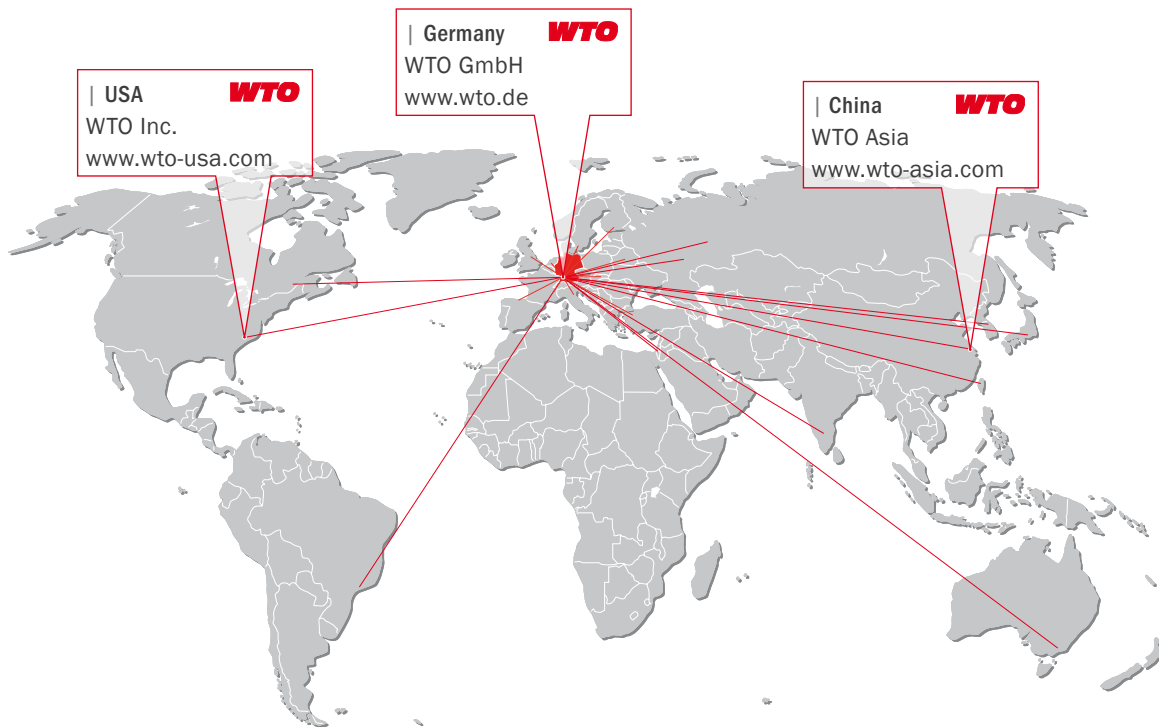


Boring Head	A	D	L
EW 15	14	15-18.5	30
EW 18	16	18-22	36

See BIG KAISER catalogue page B67.

WTO worldwide

WTO
Higher Productivity



| USA **WTO**
WTO Inc.
www.wto-usa.com

| Germany **WTO**
WTO GmbH
www.wto.de

| China **WTO**
WTO Asia
www.wto-asia.com

WTO GmbH
Auf der oberen Au 45
77797 Ohlsbach
Germany

WTO USA
13900 S Lakes Dr Ste F
Charlotte NC 28273-7119
USA

WTO Asia
Unit 756A, Tower 3
German Center
No. 88 Keyuan Road
Pudong
201203 Shanghai
China

Our distribution partners. Competence right there.

| Australia
Dimac Tooling Ltd.
sales@dimac.com.au

| Finland
Suomen Terätuonti Oy
myynti@stt.as

| Japan
NK Works Co. Ltd.
k_samba@nk-works.co.jp

| Spain
ITALMATIC, S.A.
italmatic@italmatic.es

| Belarus
JSC "PMI GROUP"
tool@pmi.by

| France
Société Jung
info@r-jung.com

| Korea
WTO Korea Office
is.chon@wto-korea.com

| Sweden
Komet Scandinavia AB
scandinavia@kometgroup.com

| Brazil
TF2
tfdois@tfdois.com.br

| France
Utilis France Sàrl
contact@utilis.com

| Netherlands
Klein Tooling B.V.
mail@kleintooling.nl

| Switzerland
Utilis AG
info@utilis.com

| Canada
Mittmann Industrial Inc.
info@mittmann.com

| Great Britain
Cutwel Ltd.
sales@cutwel.net

| Norway
Helge Karlsen Verktøy og Maskin AS
hkvm@hkvm.no

| Taiwan
KAIKO Enterprise Co. Ltd.
info@kaiko.com.tw

| China
Shanghai Gangde
m.wang@wto-asia.com

| India
A.H. Rao
ahr.rao@gmail.com

| Russia
Haltec Ltd.
info@haltec.ru

| Turkey
MYK CNC MAKINA SAN. VE
mehmet.karaman@mykcnc.com.tr

| Czech Republic
ALBA precision, spol. s.r.o.
info@albaprecision.cz

| Israel
E.Y.A.R. Ltd.
yehoshua@eyar.co.il

| Russia
OTS-Technology Ltd.
sales@otst.ru

| Ukraine
„LLC“ SPA Stankopromimport
info@phoenix-ua.com

| Denmark
Tool-part
cj@tool-part.dk

| Italy
Prymark srl
commerciale@prymark.it

| Slovakia
ALBA precision s.r.o.
albaprecision@albaprecision.sk